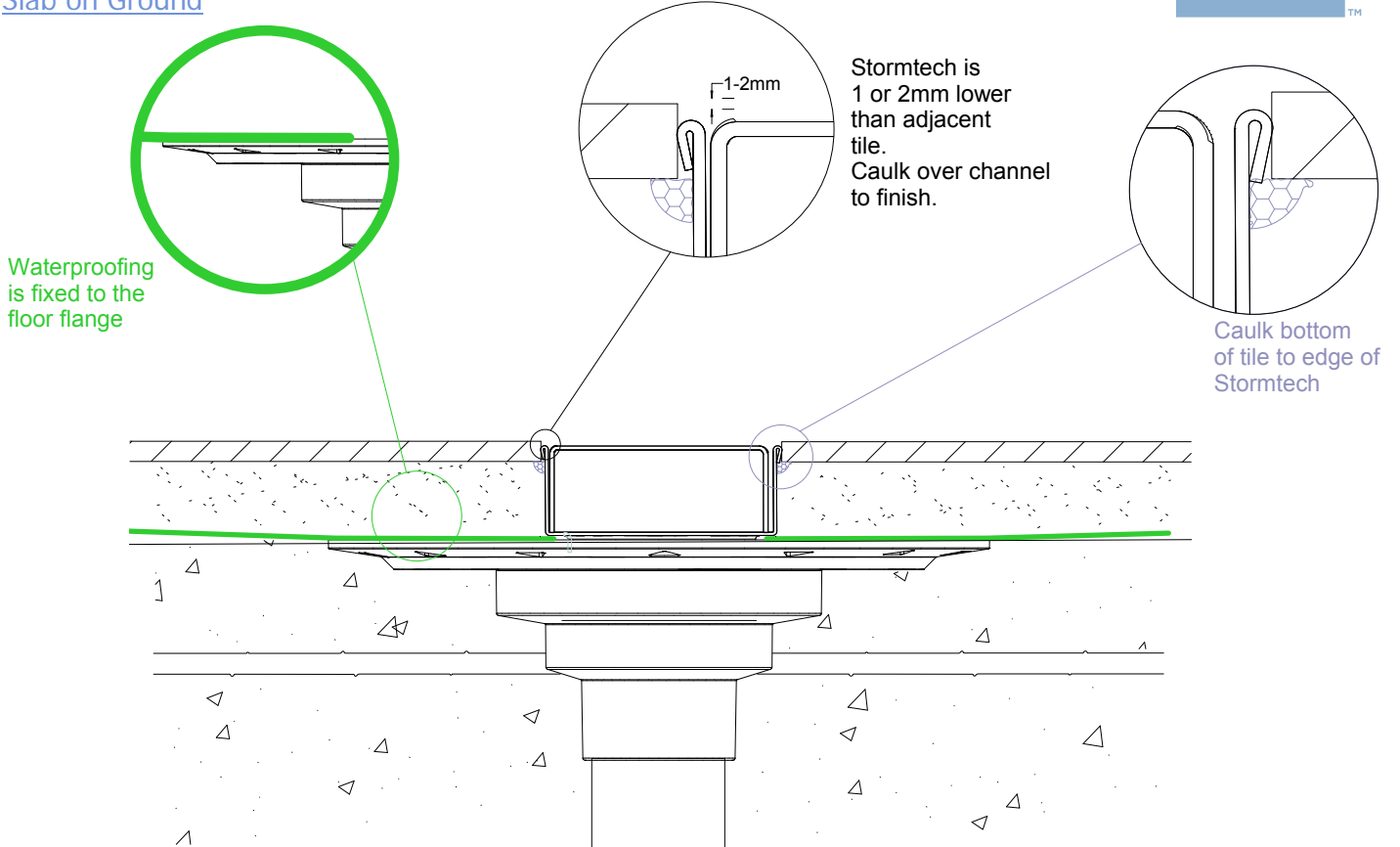


# 100i40 Concrete Floor or Deck

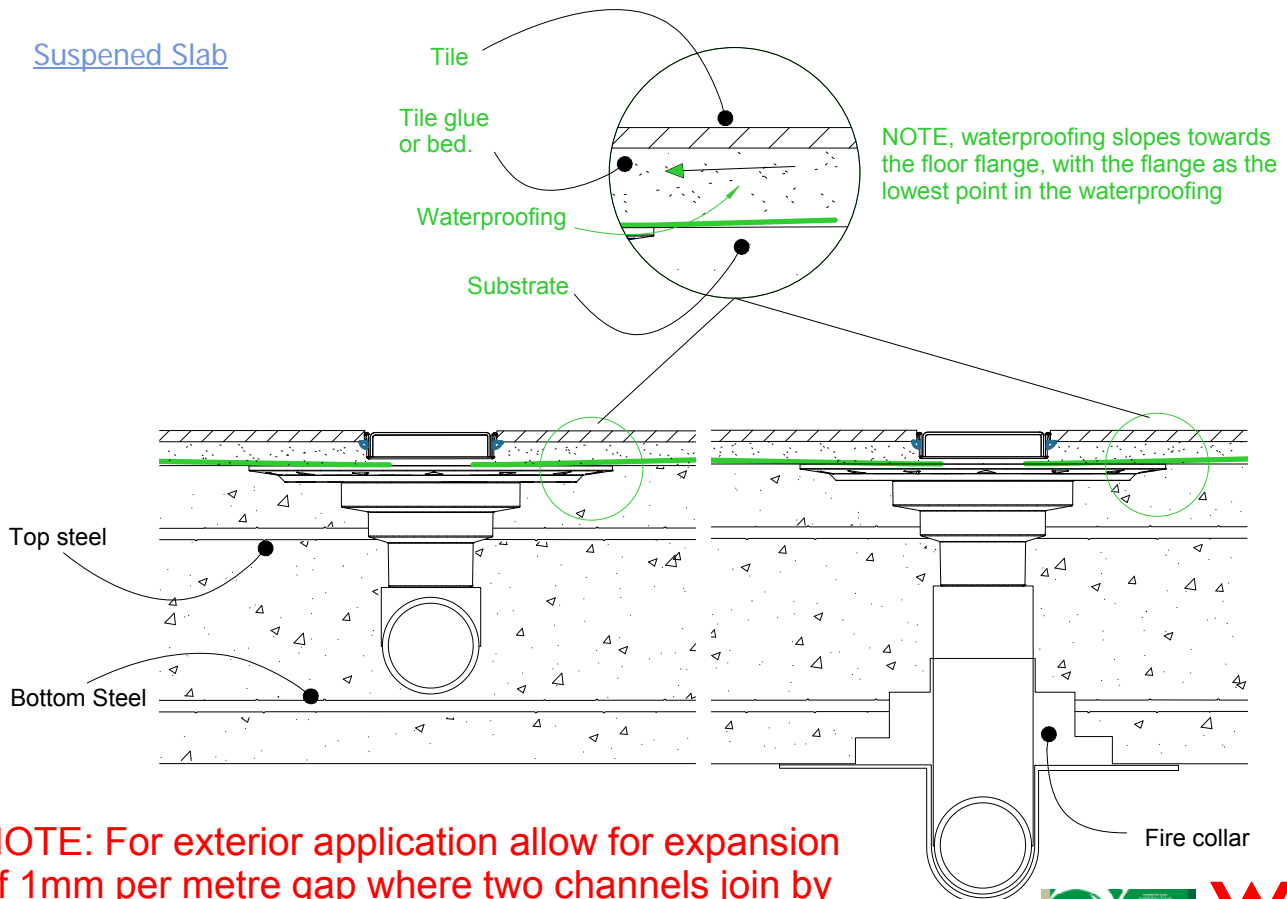
For 100ARi40, 100PSi40, 100TRi40



## Slab on Ground



## Suspended Slab



**NOTE: For exterior application allow for expansion of 1mm per metre gap where two channels join by using quality suitable flexible sealant on channel joiners.**

