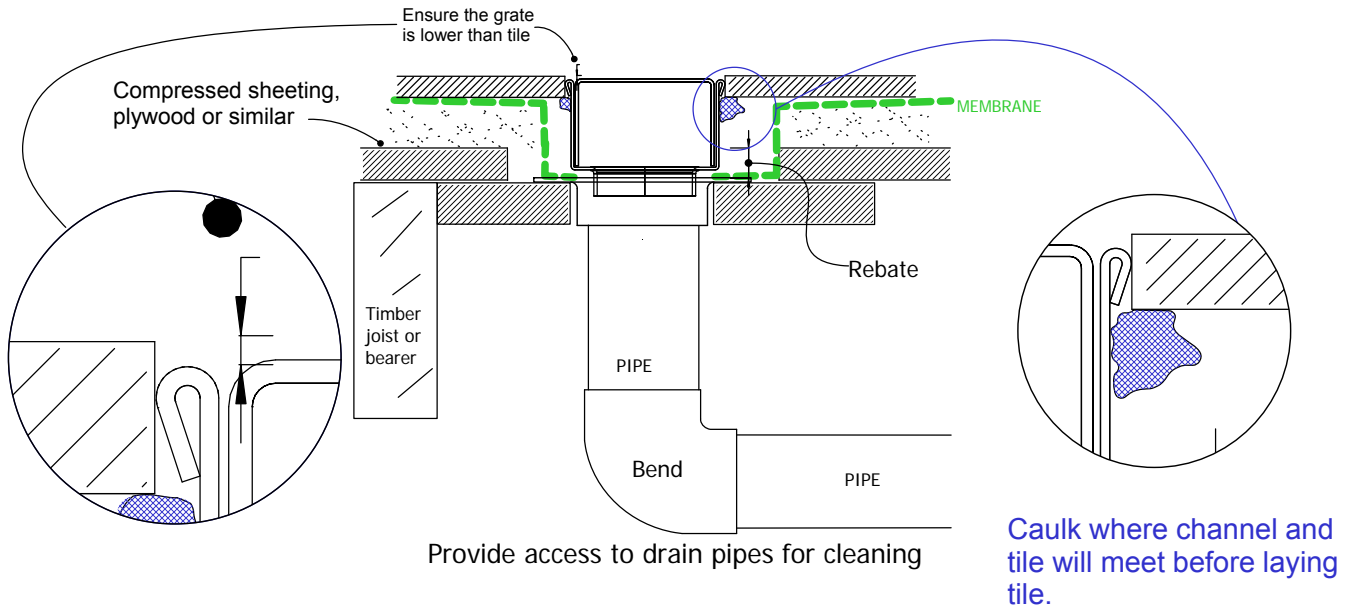


# 65i40MTL TIMBER FLOOR/DECK

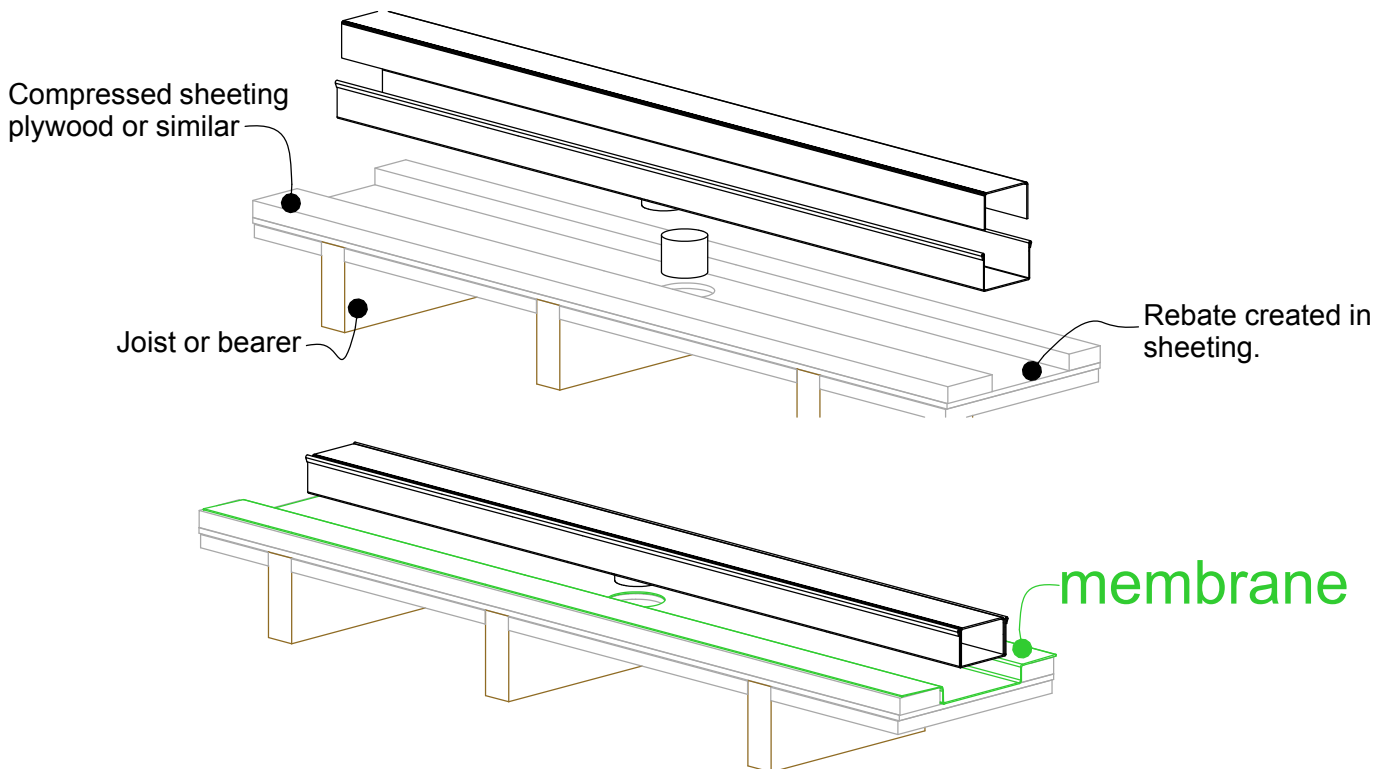
For 65ARi40MTL, 65PHi40MTL, 65PSi40MTL,  
65TRi40MTL, 65Ti40MTL.



## When 65i40MTL is running parallel to joist/bearer



## When 65i40MTL is running perpendicular to joist/bearer



**NOTE: For exterior application allow for expansion of 1mm 3 metres by using quality suitable flexible sealant on channel joins.**